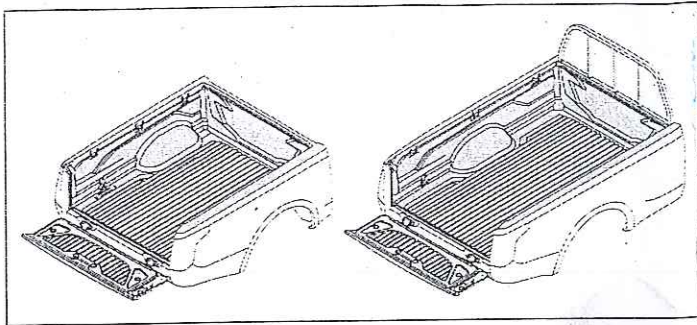


BEDLINER INSTALLATION INSTRUCTIONS

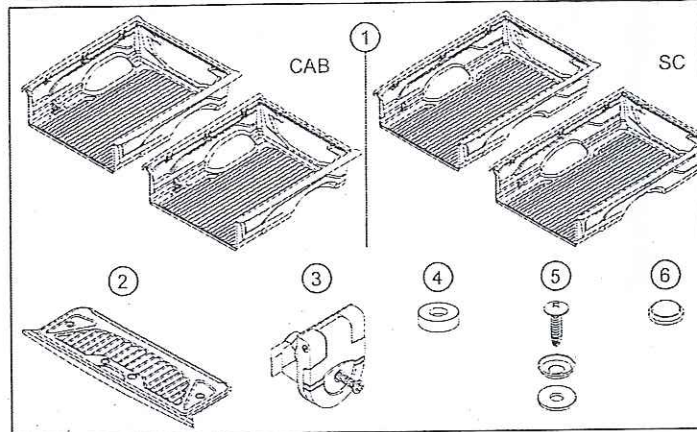


Caution for installation

- Read this mounting manual carefully, before your start the installation.
1. Area where to install product should be clean.
 2. During installation, person who installed should take off any ornaments.

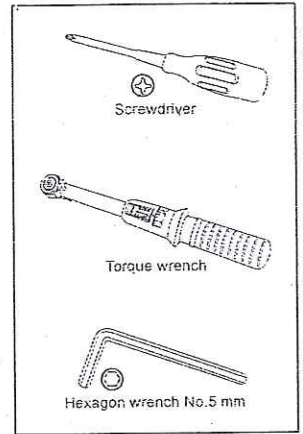
Product name : BED LINER O/R
 Model name : MIX CAB/SC 2015
 Inst. number : L03-1432

Component parts

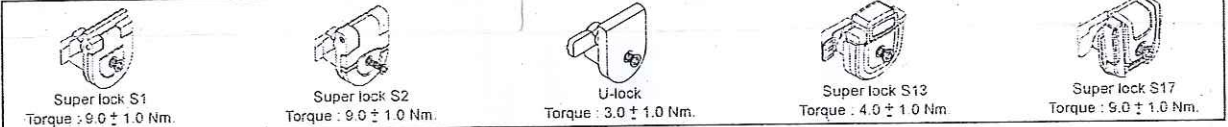


| No. | Part Name | Q'ty |
|-----|--|--------|
| 1. | Body liner | 1 Pc. |
| 2. | Tailgate | 1 Pc. |
| 3. | Lock set | 6 Sets |
| 4. | Plastic washer 9/19 | 4 Pcs. |
| 5. | Flat tapping screw 5x30, Cup washer, Plain washer 6/20 | 4 Sets |
| 6. | Plastic cap | 4 Pcs. |

Tools used



Torque used for Lock set



Instruction procedure

