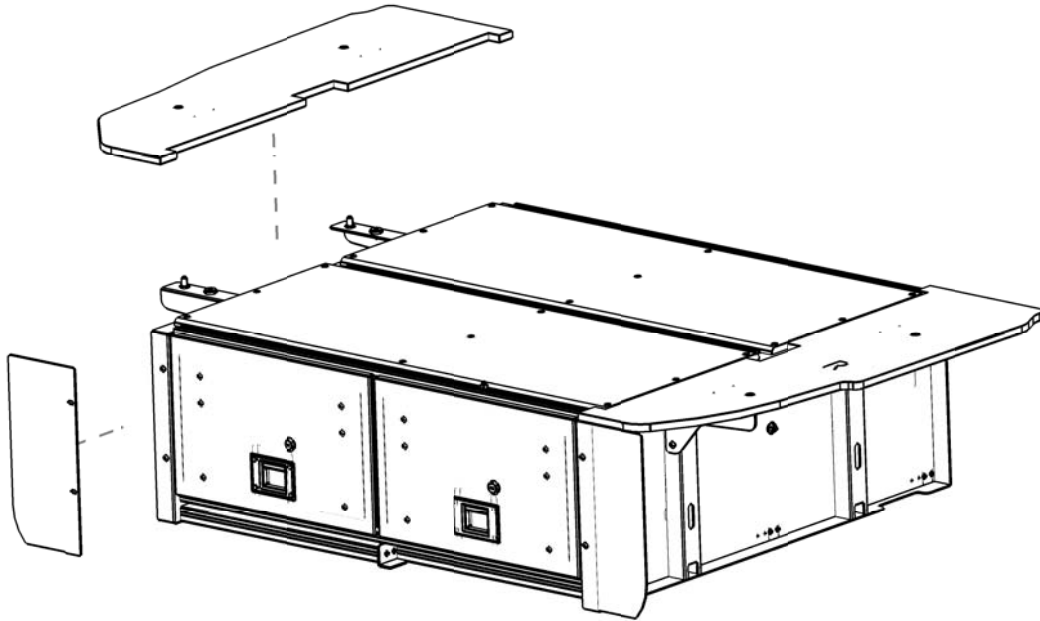




**INSTALL TIME: 15 mins**

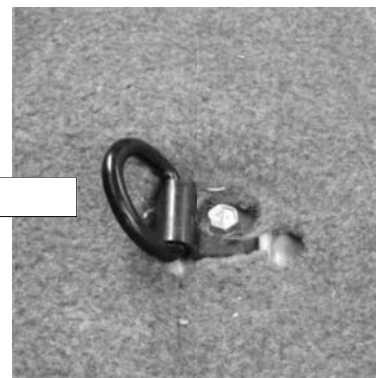
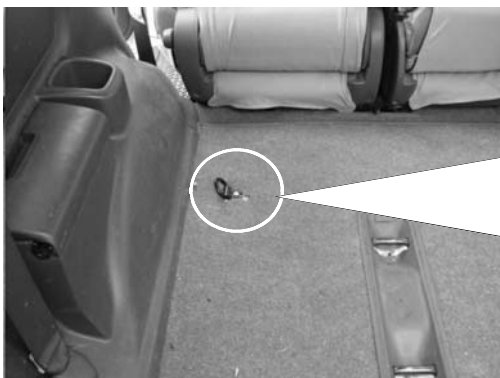
**You will need:**

- 3 & 4 mm Hex Key
- 8 & 13 mm Flat or Socket Wrench



# 1 FIT DRAWER SYSTEM

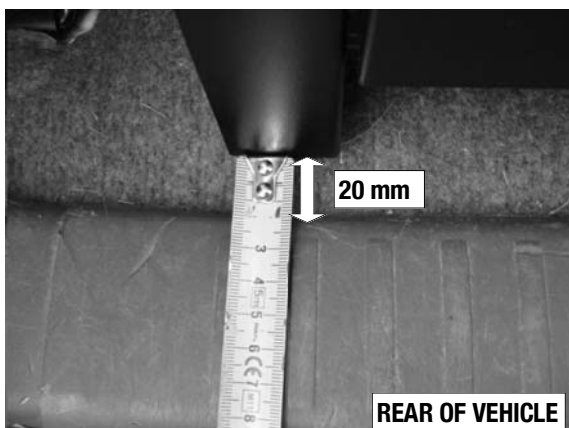
- (A) Remove the two rear folding seats. Loosen and rotate the two inner D-rings (1 left, 1 right) as shown below.



# 1 FIT DRAWER SYSTEM CONT...

- ( B ) Place the Draw System into the vehicle lining up the front of the Draw System 20 mm from the edge of the load bay area. Ensure that the Draw System is centered left to right.

Secure the Draw System to the vehicle using the D-rings on the vehicle and the side of the Draw System, as well as the Turnbuckles and C-hooks supplied. Use one large C-hook, one small C-hook and a Turnbuckle per side in the front and one large C-hook and a Turnbuckle per side at the rear. Tighten the securing nut on each Turn Buckle to prevent it from coming loose.



- ( C ) Fit the four Deck Side Skirt Support Brackets to the side of the Draw System (Two left, two right).



- ( D ) To Complete the installation, fit the two Front Cover Panels and Deck Side Skirts.

Congratulations, you have completed your installation. Take a step back and admire your work. Good Job!



# 3 INSTALL OTHER VEHICLE AND RACK ACCESSORIES

- ( A ) Now's the time to visit your favorite Front Runner dealer in person or online.