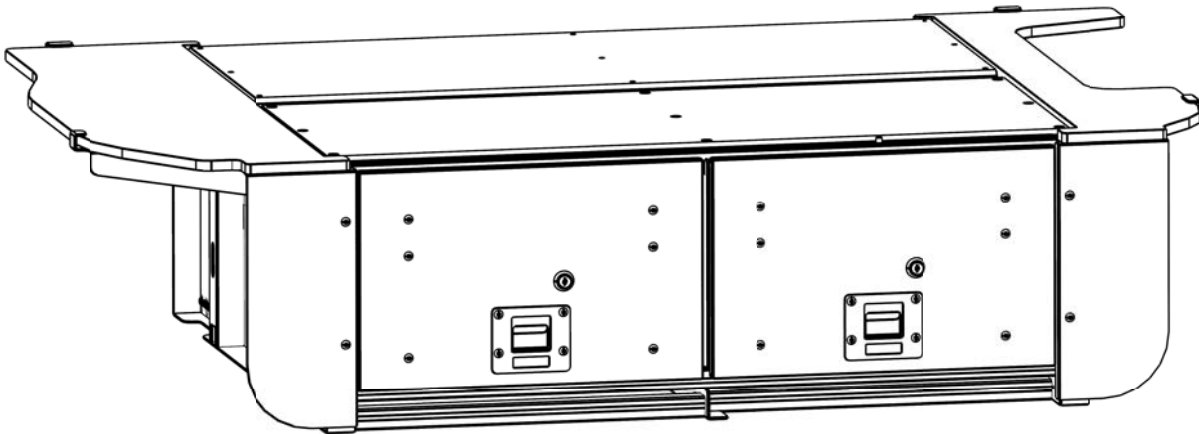




INSTALL TIME: 45 mins



Thank you for purchasing a Front Runner Storage System.

This Storage System is made up of the following components:

1. A Drawer System - SSDR005
2. A Vehicle Specific Deck Set and Mounting Plate - SSDS601

Before you start, take a moment to familiarize yourself with these Fitting Instructions and all the components received. Depending on the vehicle not all components received will be used. Refer to Page 2 for a list of all the components and quantities if required.

IMPORTANT WARNING!

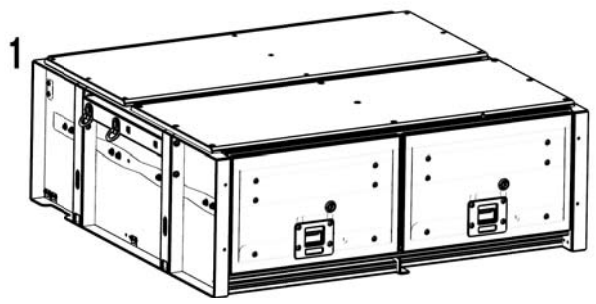
IT IS CRITICAL THAT ALL FRONT RUNNER PRODUCTS BE PROPERLY AND SECURELY ASSEMBLED AND ATTACHED TO YOUR VEHICLE. IMPROPER ATTACHMENT COULD RESULT IN AN AUTOMOBILE ACCIDENT, AND COULD CAUSE SERIOUS BODILY INJURY OR DEATH TO YOU OR TO OTHERS. YOU ARE RESPONSIBLE FOR ASSEMBLING AND SECURING ALL FRONT RUNNER PRODUCTS TO YOUR VEHICLE, CHECKING THE ATTACHMENTS PRIOR TO USE, AND PERIODICALLY INSPECTING THE PRODUCTS FOR ADJUSTMENT, WEAR, AND DAMAGE. THEREFORE, YOU MUST READ AND UNDERSTAND ALL OF THE INSTRUCTIONS AND CAUTIONS SUPPLIED WITH YOUR FRONT RUNNER PRODUCT PRIOR TO INSTALLATION OR USE. IF YOU DO NOT UNDERSTAND ALL OF THE INSTRUCTIONS AND CAUTIONS, OR IF YOU HAVE NO MECHANICAL EXPERIENCE AND ARE NOT THOROUGHLY FAMILIAR WITH THE INSTALLATION PROCEDURES, YOU SHOULD HAVE THE PRODUCT INSTALLED BY A PROFESSIONAL INSTALLER OR OTHER QUALIFIED PERSONNEL.

1

GET ORGANIZED...

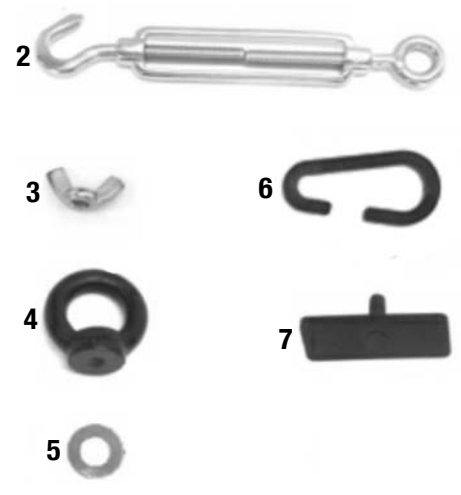
Here is what you are looking at for SSSDR0005:

Item #	Quantity	Description
1	1	DRAWER SYSTEM
2	2	TURN BUCKLE
3	2	M6 WING NUT
4	6	M6 EYE NUT
5	6	NYLON WASHER
6	2	60 mm C-HOOK
7	7	M6 STUD PLATE



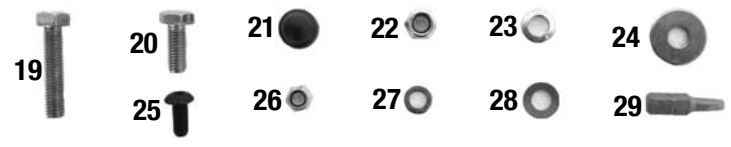
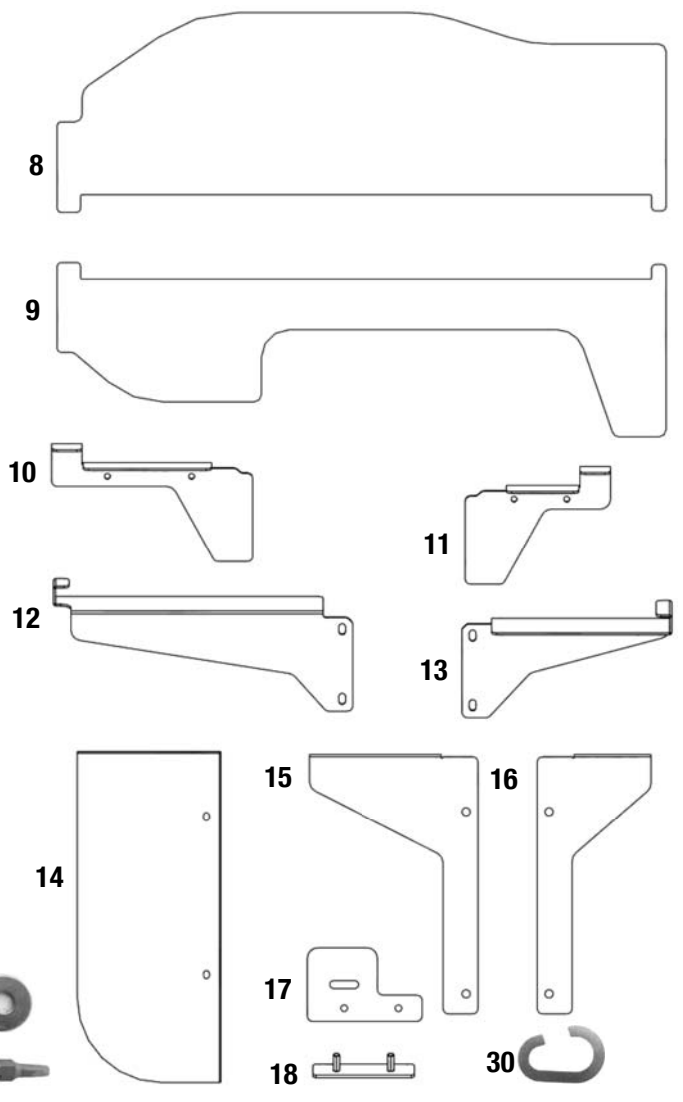
You will need:

- 8 mm & 10 mm Flat or Socket Wrench
- 3 mm & 4 mm Hex Key
- a Friend



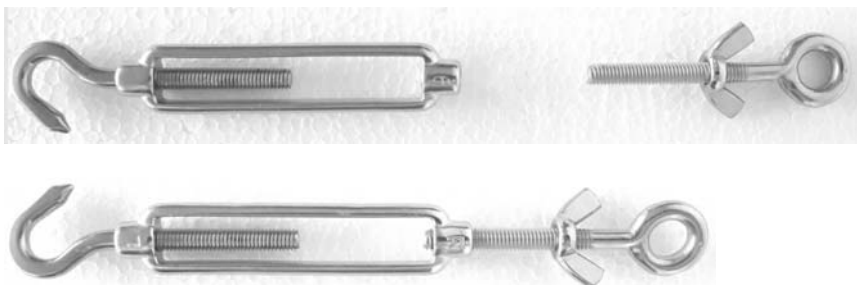
Here is what you are looking at for SSSDS601:

Item #	Quantity	Description
8	1	LEFT HAND SIDE DECK
9	1	RIGHT HAND SIDE DECK
10	1	LEFT REAR WING
11	1	RIGHT REAR WING
12	1	LEFT FRONT WING
13	1	RIGHT FRONT WING
14	2	FRONT FACE - 1 LEFT, 1 RIGHT
15	1	LEFT REAR WING BRACKET
16	1	RIGHT REAR WING BRACKET
17	2	MOUNTING PLATE
18	2	STUD PLATE
19	2	M6 x 30 HEX BOLT
20	4	M6 x 16 HEX BOLT
21	6	M6 NUT CAP
22	4	M6 NYLOC NUT
23	6	M6 SPRING WASHER
24	6	M6 x 19 FLAT WASHER
25	8	M5 x 12 BUTTON HEAD BOLT
26	8	M5 NYLOC NUT
27	8	M5 FLAT WASHER
28	4	M6 FLAT WASHER
29	1	SQUARE RECESS BIT
30	2	37 mm C-HOOK



2 PREPARE FOR INSTALLATION

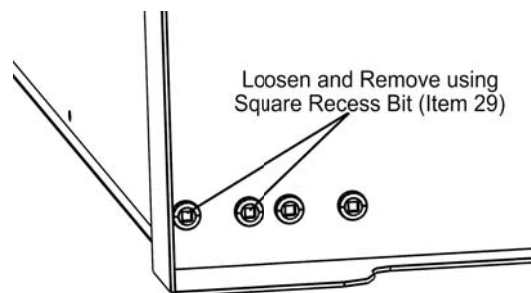
- (A) Loosen the round end of the two Turn Buckles (Item 2) supplied with SSDR005 and assemble a M6 Wing Nut (Item 3) as shown. Reassemble the Turn Buckle.



- (B) Loosen and remove the two tie down points located in the floor of the vehicle behind the rear passenger seats.

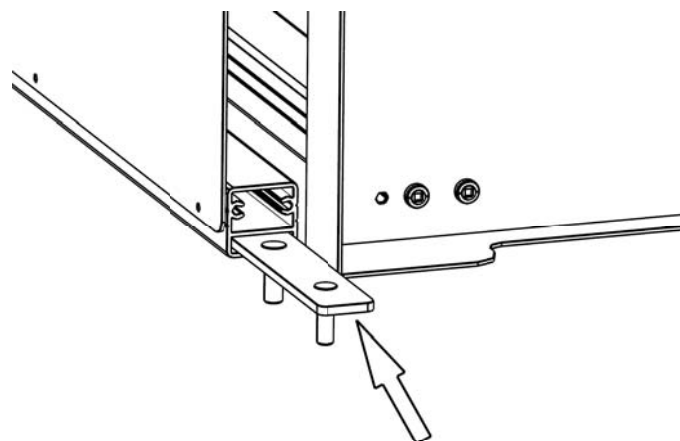


- (C) Working at the bottom right rear corner of the Draw System (Item 1), use the Square Recess Bit (Item 29) provided and remove the two screws as indicated. Keep the screws in a safe place as they will be reused in Step 2D.



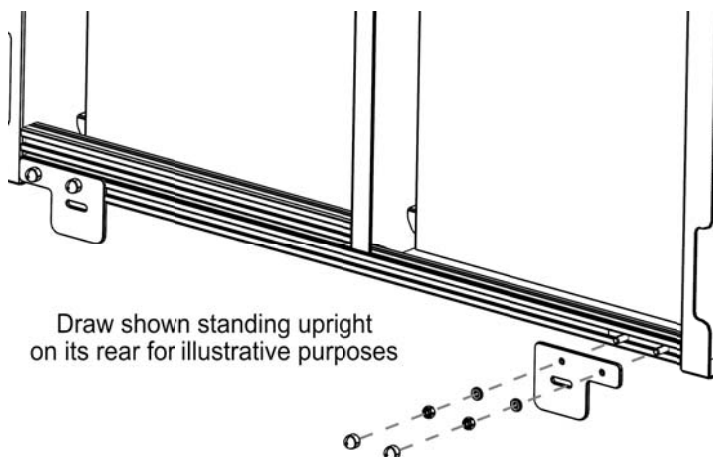
- (D) Pull the Drawer's backing plate and the attached aluminium extrusion away from the corner of the Drawer as shown. Slide the two Stud Plates (Item 18) in to the extrusion as illustrated.

Push the extrusion and backing plate into position and secure using the two screws removed in Step 2C.

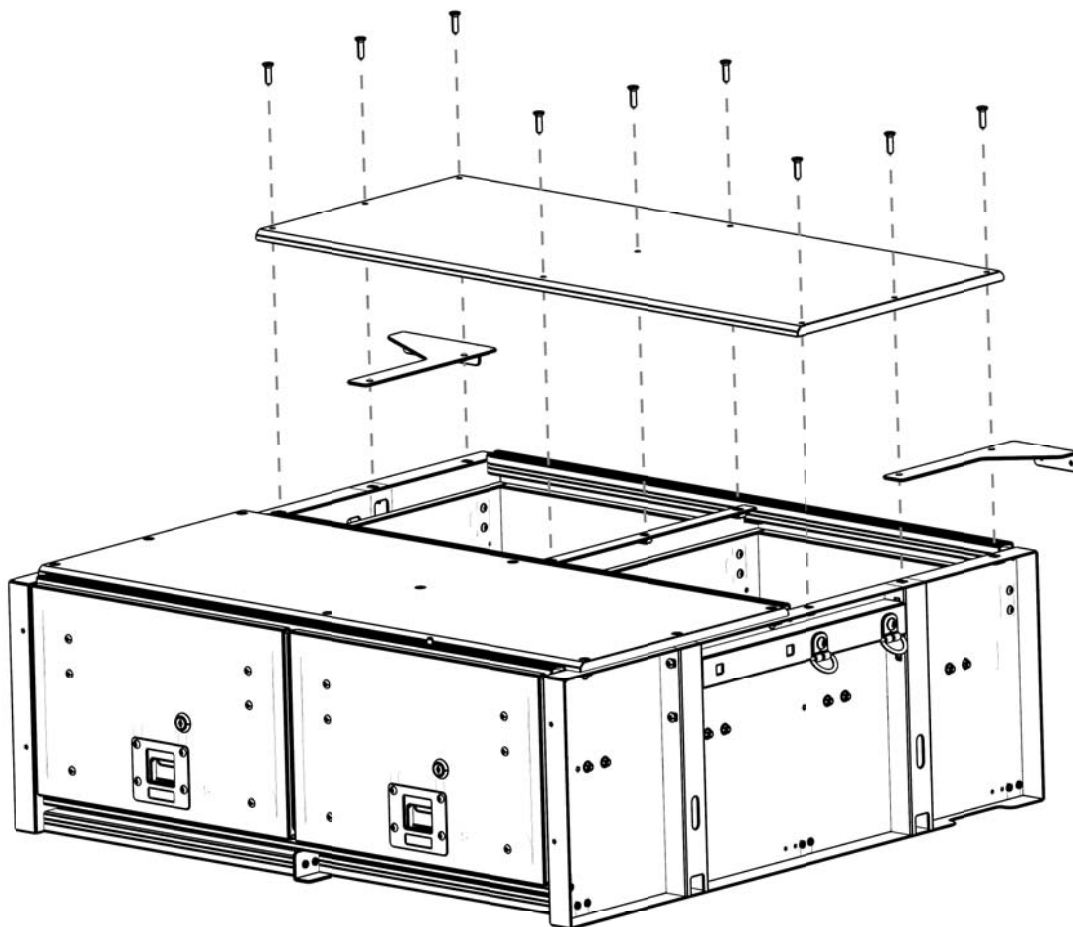


2 PREPARE FOR INSTALLATION CONT...

- (E) Slide both Stud Plates from Step 2D to either side of the extrusion, against the side of the Drawer. Secure the Mounting Plates (Item 17) to the Stud Plates System using four M6 Flat Washers and four M6 Nyloc Nuts (Items 22 & 28). Place a M6 Nut Cap (Item 21) over each Nyloc Nut.



- (F) Loosen the nine Countersunk Bolts securing the Rear Deck to the Drawer System. Lift the Deck and place the Left and Right Hand Rear Wing Brackets (Items 15 & 16) in position between the Deck and Drawer System as shown. Secure the Deck back to the Drawer System, "sandwiching" the Wing Brackets between the Deck and Drawer System.

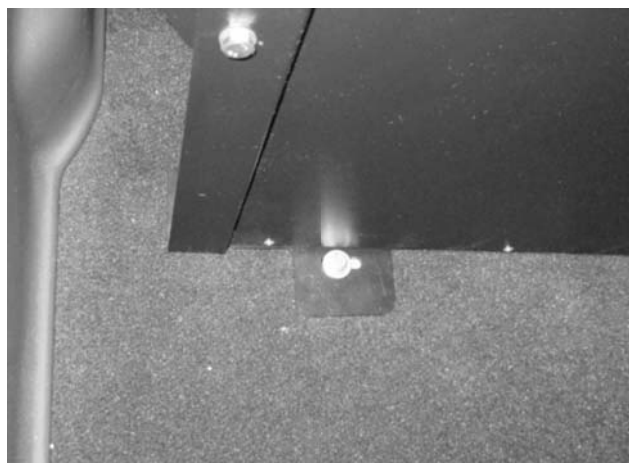


3 INSTALL DRAWER SYSTEM

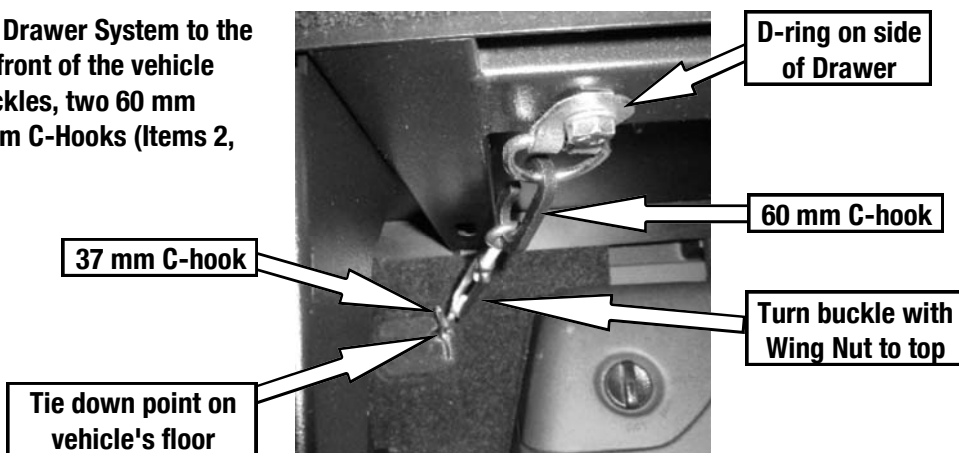
- (A) Place the Drawer System into the vehicle lining up the holes in the Mounting Plates from Step 2E with the threaded mounting points in the vehicle's floor from Step 2B.

Loosely fasten the rear of the Drawer System to the vehicle using two M6 x 30 Hex Bolts, two M6 Spring Washers and two M6 x 19 Flat Washers (Items 19, 28 & 22).

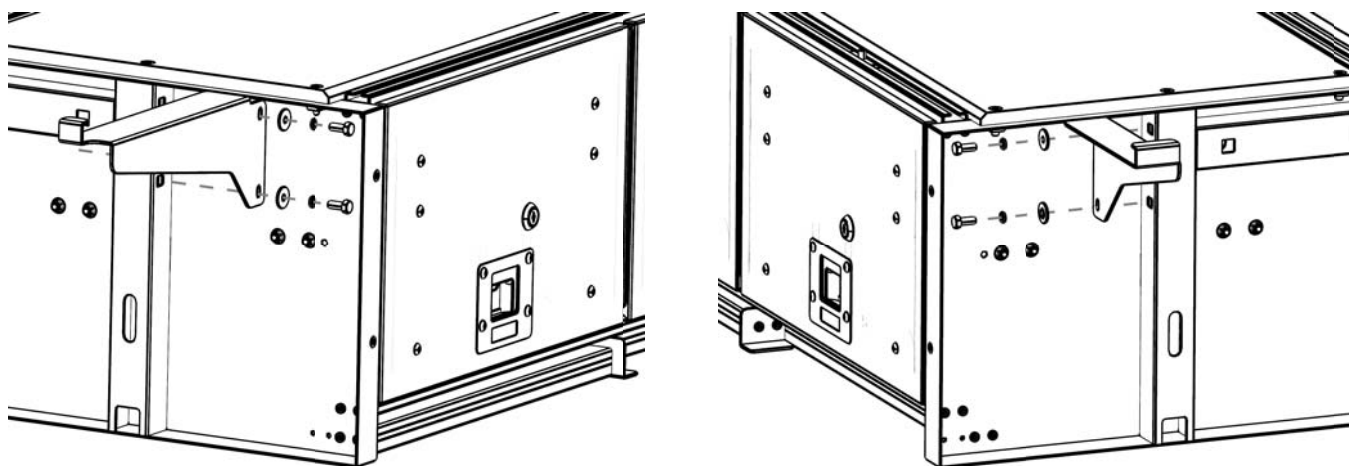
Center the Drawer, left to right, and tighten the Hex Bolts. Place a M6 Nut Cap (Item 24) over each Hex Bolt.



- (B) Secure the front of the Drawer System to the tie down points at the front of the vehicle using two M6 Turn Buckles, two 60 mm C-Hooks and two 37 mm C-Hooks (Items 2, 6, 30) as shown.



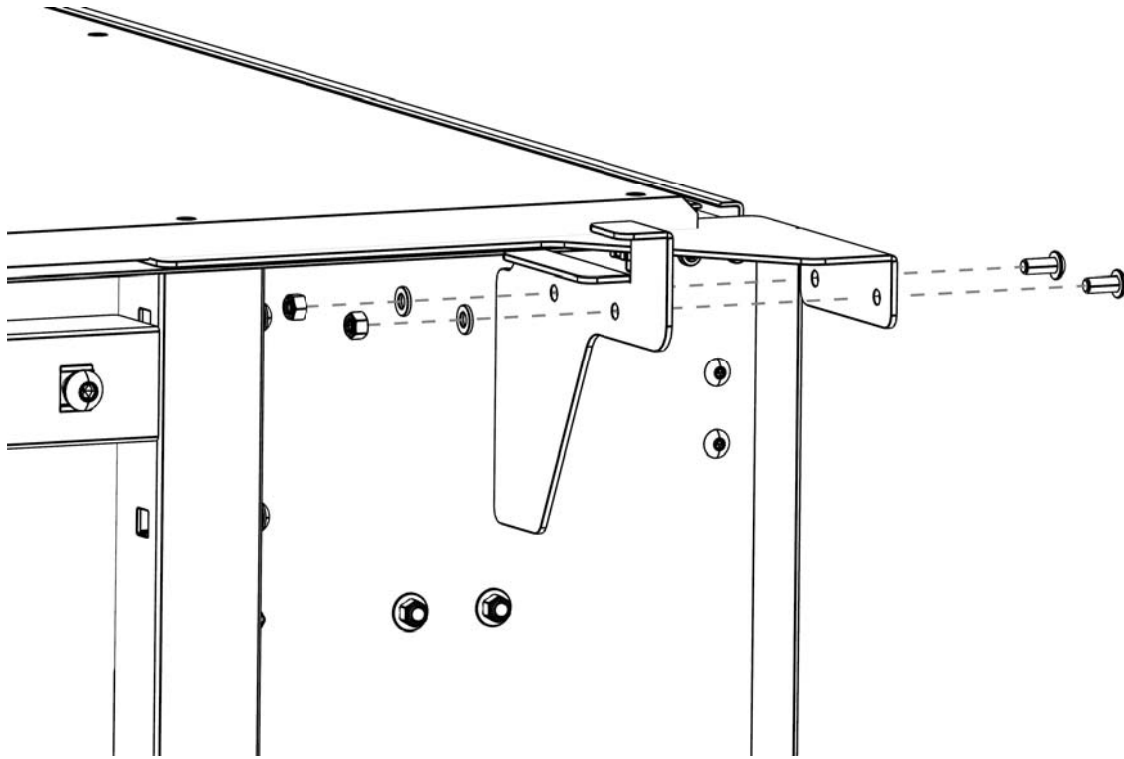
- (C) Secure the Left and Right Front Wings (Items 12 & 13) to the Drawer System using four M6 x 16 Hex Bolts, four M6 Spring Washers and four M6 x 19 Flat Washers (Items 20, 23, 24) as shown.



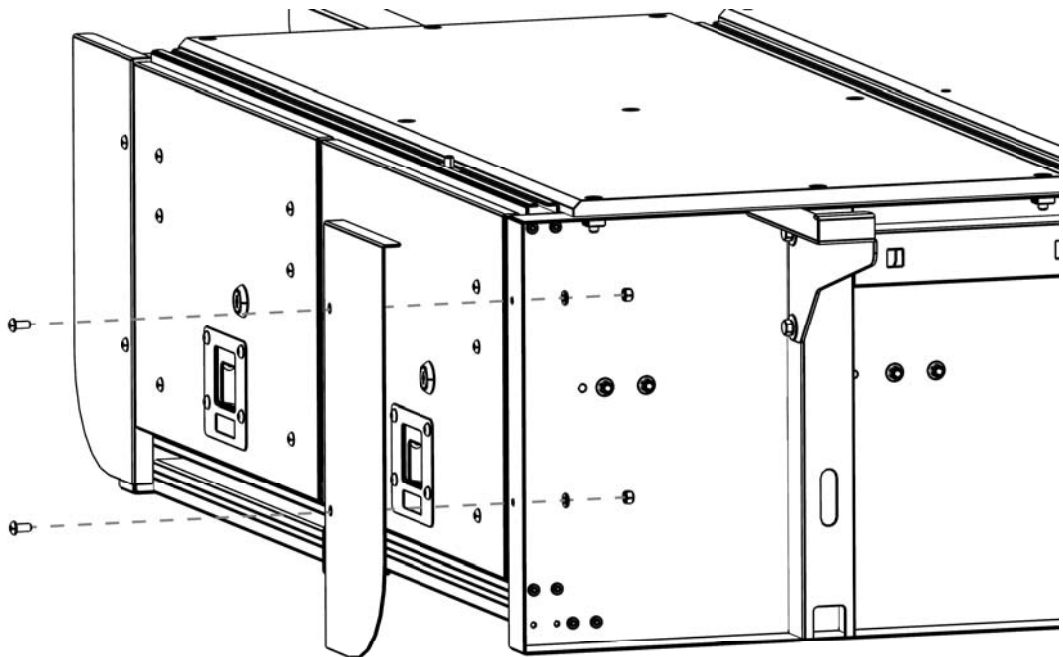
3

INSTALL DRAWER SYSTEM CONT...

- (D) Secure the Left and Right Rear Wings (Item 10 & 11) to the Wing Brackets fitted in Step 2F using four M5 x 12 Button Head Bolts, four M5 Flat Washers and four M5 Nyloc Nuts (Items 25, 26, 27) as shown.



- (E) Secure the Left and Right Front Faces (Item 14) to the Drawer System using four M5 x 12 Button Head Bolts, four M5 Flat Washers and four M5 Nyloc Nuts (Items 25, 26, 27) as shown.



3 INSTALL DRAWER SYSTEM CONT...

(F) Fit the Side Decks (Items 8 & 9) to the Drawer System by "clipping " them into the Wings.

(G) Congratulations, you have completed your installation. Take a step back and admire your work. Good Job!



4 INSTALL OTHER VEHICLE AND RACK ACCESSORIES

(A) Now's the time to visit your favorite Front Runner dealer in person or online.