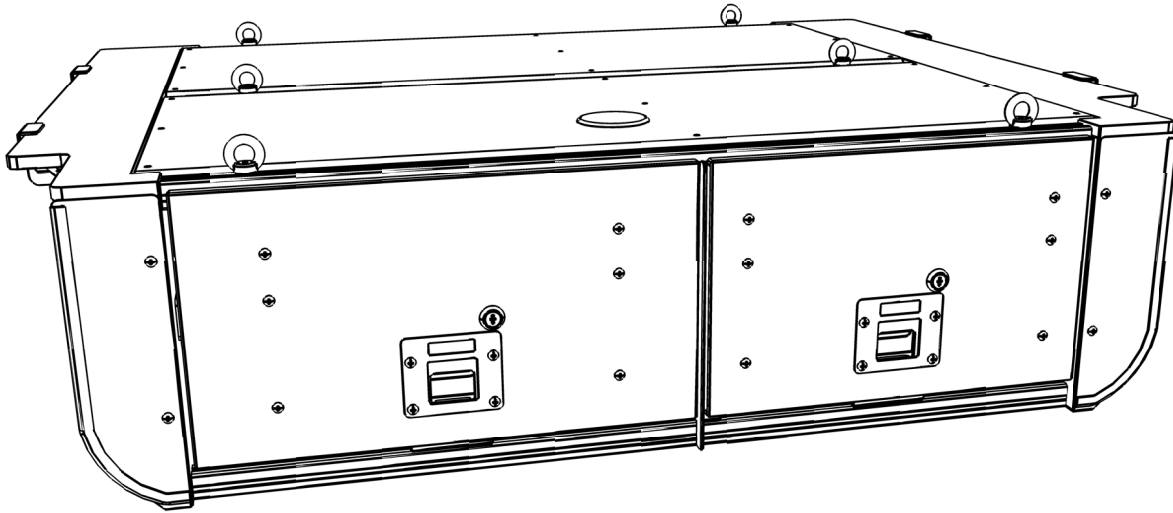




INSTALL TIME: 45 mins



Thank you for purchasing a Front Runner Storage System.

This Storage System is made up of the following components:

1. A Drawer System - SDDR002
2. A Drawer Deck Completion Set Brackets - SSWS002
3. A Vehicle Specific Deck Completion Set - SSDS901

Before you start, take a moment to familiarize yourself with these Fitting Instructions and all the components received. Depending on the vehicle not all components received will be used. Refer to Page 2 for a list of all the components and quantities if required.

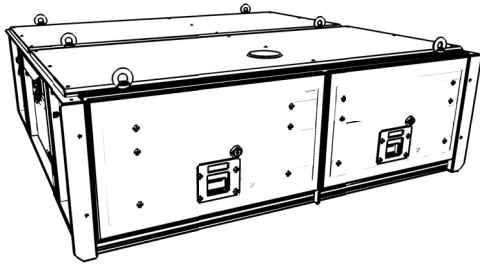
IMPORTANT WARNING!

IT IS CRITICAL THAT ALL FRONT RUNNER PRODUCTS BE PROPERLY AND SECURELY ASSEMBLED AND ATTACHED TO YOUR VEHICLE. IMPROPER ATTACHMENT COULD RESULT IN AN AUTOMOBILE ACCIDENT, AND COULD CAUSE SERIOUS BODILY INJURY OR DEATH TO YOU OR TO OTHERS. YOU ARE RESPONSIBLE FOR ASSEMBLING AND SECURING ALL FRONT RUNNER PRODUCTS TO YOUR VEHICLE, CHECKING THE ATTACHMENTS PRIOR TO USE, AND PERIODICALLY INSPECTING THE PRODUCTS FOR ADJUSTMENT, WEAR, AND DAMAGE. THEREFORE, YOU MUST READ AND UNDERSTAND ALL OF THE INSTRUCTIONS AND CAUTIONS SUPPLIED WITH YOUR FRONT RUNNER PRODUCT PRIOR TO INSTALLATION OR USE. IF YOU DO NOT UNDERSTAND ALL OF THE INSTRUCTIONS AND CAUTIONS, OR IF YOU HAVE NO MECHANICAL EXPERIENCE AND ARE NOT THOROUGHLY FAMILIAR WITH THE INSTALLATION PROCEDURES, YOU SHOULD HAVE THE PRODUCT INSTALLED BY A PROFESSIONAL INSTALLER OR OTHER QUALIFIED PERSONNEL.

1 GET ORGANIZED...

Here is what you are looking at for SSSDR002:

Item #	Quantity	Description
1	1	DRAWER SYSTEM
2	4	TURNBUCKLE
3	4	M6 WING NUT
4	6	M6 EYE NUT
5	6	NYLON WASHER
6	4	60mm C-HOOK
7	6	M6 STUD PLATE



1

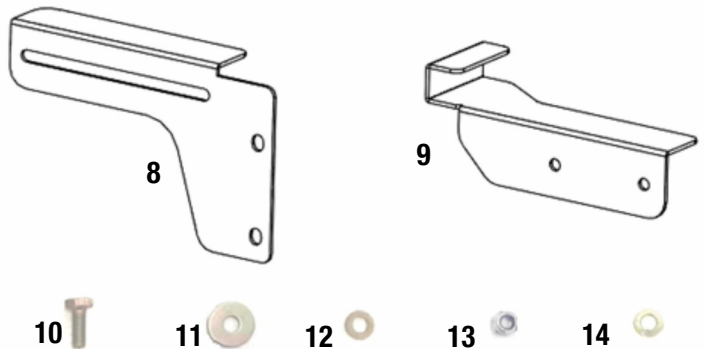
You will need:

- 8 mm & 10 mm Flat or Socket Wrench
- 3 mm & 4 mm Hex Key
- White Marker
- Utility Knife
- Tape Measure
- a Friend



Here is what you are looking at for SSWS002:

Item #	Quantity	Description
8	4	SIDE WING - 2 LEFT, 2 RIGHT
9	4	WING SLIDER - 2 LEFT, 2 RIGHT
10	16	M6 x 16 HEX BOLT
11	16	M6 x 19 FLAT WASHER
12	8	M6 FLAT WASHER
13	8	M6 NYLOC NUT
14	8	M6 SPRING WASHER



Here is what you are looking at for SSSD901:

Item #	Quantity	Description
15	4	SIDE DECK - 1 LEFT, 1 RIGHT
16	1	REPLACEMENT FLOOR BOARD
17	4	37mm C-HOOK
18	16	M6 x 16 HEX BOLT
19	16	M6 FLAT WASHER
20	8	M6 NYLOC NUT
21	2	FRONT FASE - 1 LEFT, 1 RIGHT
22	1	T-BAR
23	2	ADAPTER SOCKET - 1 SLOTTED, 1 HEX



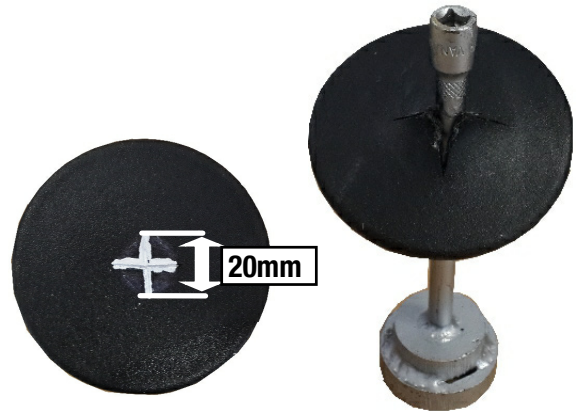
2 FIT DRAWER SYSTEM

- (A) If your vehicle came with a second row of rear seats, lift the left hand seat to expose the wheel winder mechanism. If the mechanism is covered with a cap, remove the cap.

If your vehicle did not come with a second row of rear seats, remove the rear floor board to expose the wheel winder mechanism. The mechanism will be covered by a cap, remove the cap.

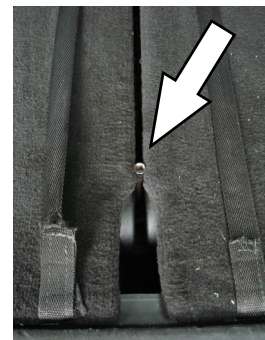
- (B) You have received two wheel winder Adapter Sockets and a T-bar with your Drawer System. The vehicle's wheel winder mechanism is model dependant. Select the appropriate Adapter for your vehicle. In the center of the cover cap removed in Step 1A, mark and cut a cross 20 mm x 20 mm in the cap. Push the cap over the appropriate Adapter Socket for your vehicle (item 23) as shown.

Place the Adapter Socket over the wheel winder mechanism and slide the cover cap down the Adapter Socket's shaft and into position.



- (C) If your vehicle did not come with the second row of rear seats as mentioned in Step 1A. Fit the Replacement Floor Board (Item 16). The cut out in the center of the Floor Board points towards the rear of the vehicle.

If your vehicle came with the second row of rear seats, lower the left hand seat and then lower the Right hand seat, making sure that the Adapter Socket sits between the two seats as shown.



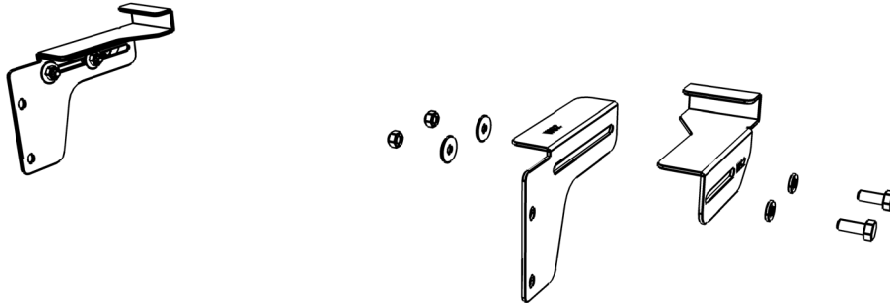
- (E) Place the Drawer System into the vehicle lining up the front of the Drawer System with the edge of the load bay area. There should be a slight gap between the Drawer System and the interior door flap when the flap is in the upright position.

Ensure that the Drawer System is centered left to right. Once happy with the positioning secure the Drawer System to the vehicle using the Turn Buckles supplied as shown below. Tighten the securing nut on each Turn Buckle to prevent it from coming loose.

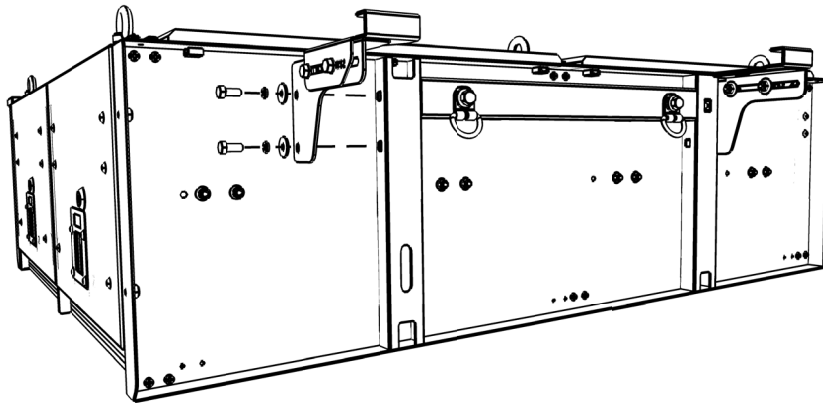


DECK COMPLETION SET INSTALATION

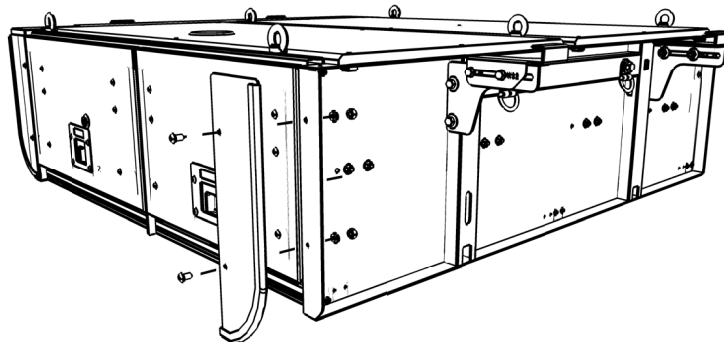
- (A) Assemble the left and the right side Wing sets (Items 8, 9) as shown below using two M6 x 16 Hex Bolts, two M6 flat Washers, two M6 x 19 Flat Washers and two M6 Nyloc Nuts as shown (Items 10, 11, 12, 13) received with SSWS002.



- (B) Secure the adjustable Wing assemblies from Step 2A to the Drawer System using four M6 x 16 Hex Bolts, four M6 Spring Washers and four M6 x 19 Flat Washers (Items 10, 14, 11) as shown.



- (C) Fit the Left and the Right Front Faces (Item 21) to the Drawer System using the four M5 x 12 Button Head Bolts , four M5 Flat Washers and four M5 Nyloc Nuts (Items 18, 19, 29) as shown.



4 DECK COMPLETION SET INSTALATION CONT...

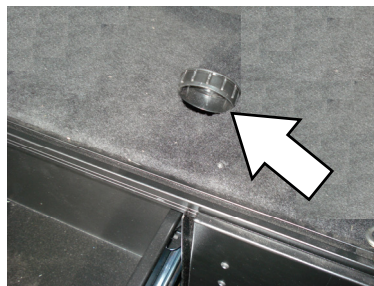
- (A) Slide the Side Decks (Items 15) into the clasps of the wing sets installed in Step 2B and push down to make flush with the rest of the Drawer System



Congratulations, you have completed your installation. Take a step back and admire your work. Good Job!

5 LOWERING THE SPARE WHEEL

- (A) Remove the Plastic Cap. Open the left hand side drawer and insert the T-bar supplied through the hole and attach it to the Wheel Winder "Socket" with extension fitted in Step 1B. Turn the T-bar anti-clockwise to lower the spare wheel.



6 INSTALL OTHER VEHICLE AND RACK ACCESSORIES

- (A) Now's the time to visit your favorite Front Runner dealer in person or online.