

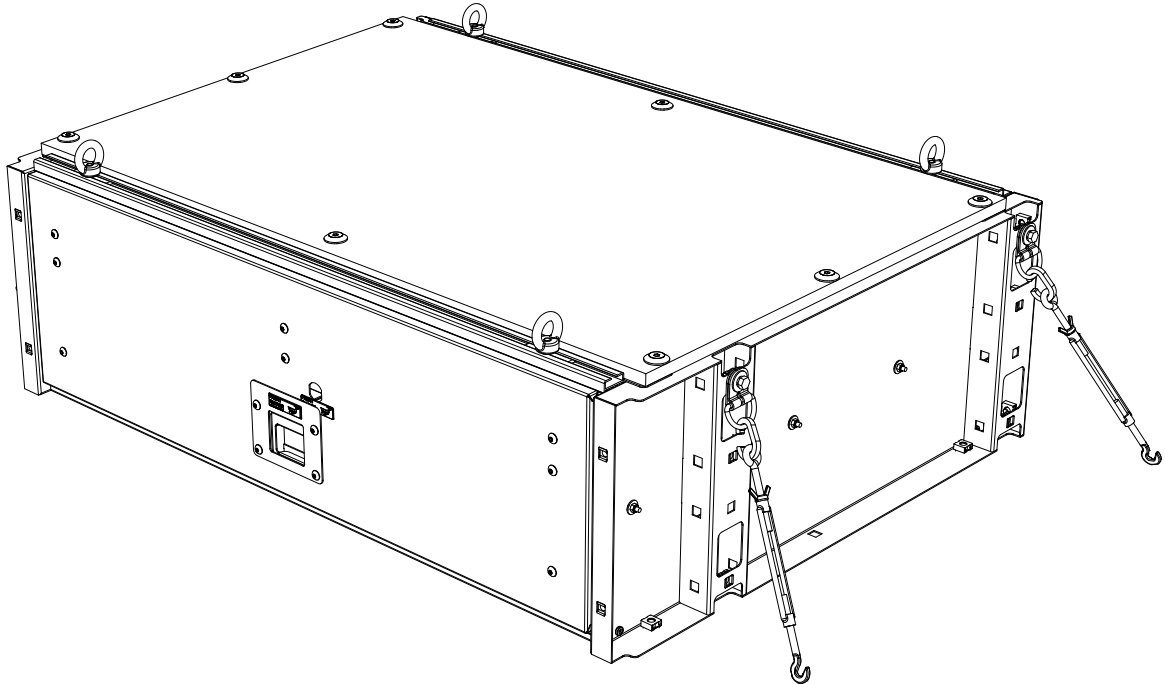


**FRONT RUNNER**  
VEHICLE OUTFITTERS

## UNIVERSAL DRAWER SMALL SUV

ENG

SSDR011



### READ ME !



Thank you for purchasing a Front Runner Universal Drawer Small SUV.

Before you start, take a moment to familiarize yourself with this Fitting Instruction and the components received.

Refer to Page 2 for a list of all the components, quantities and tools required.

### IMPORTANT WARNING!

IT IS CRITICAL THAT ALL FRONT RUNNER PRODUCTS BE PROPERLY AND SECURELY ASSEMBLED AND ATTACHED TO YOUR VEHICLE.

IMPROPER ATTACHMENT COULD RESULT IN AN AUTOMOBILE ACCIDENT, AND COULD CAUSE SERIOUS BODILY INJURY OR DEATH.

YOU ARE RESPONSIBLE FOR ASSEMBLING AND SECURING ALL FRONT RUNNER PRODUCTS TO YOUR VEHICLE. CHECKING THE ATTACHMENTS PRIOR TO USE, AND PERIODICALLY INSPECTING THE PRODUCTS FOR ADJUSTMENT, WEAR AND DAMAGE. THEREFORE YOU MUST READ AND UNDERSTAND ALL OF THE INSTRUCTIONS AND PRECAUTIONS SUPPLIED WITH YOUR FRONT RUNNER PRODUCT PRIOR TO INSTALLATION OR USE.

IF YOU DO NOT UNDERSTAND ALL OF THE INSTRUCTIONS AND CAUTIONS, OR IF YOU HAVE NO MECHANICAL EXPERIENCE AND ARE NOT THOROUGHLY FAMILIAR WITH THE INSTALLATION PROCEDURES, YOU SHOULD HAVE THE PRODUCT INSTALLED BY A PROFESSIONAL INSTALLER OR OTHER QUALIFIED PERSONNEL.

# 1

## GET ORGANIZED

Here is what you are looking at for SSDR011

### IN THE BOX

1	1 X	Universal Drawer Large Pick-up
	2 X	Set Of Keys
2	4 X	Eye Nut
3	4 X	M8 Nylon Washer
4	4 X	Stud Plate
5	4 X	D-Ring
6	4 X	M6x19x1ss Flat Washer
7	4 X	M6 Spring Washer
8	4 X	M6x20 Hex Bolt
9	4 X	Carabiner Hook 60mm
10	4 X	M6 Wing Nut
11	4 X	Turnbuckle

### TOOLS NEEDED

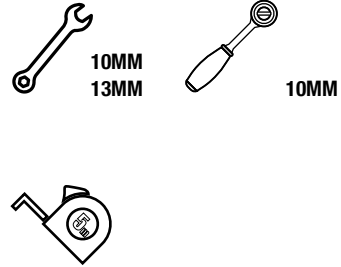
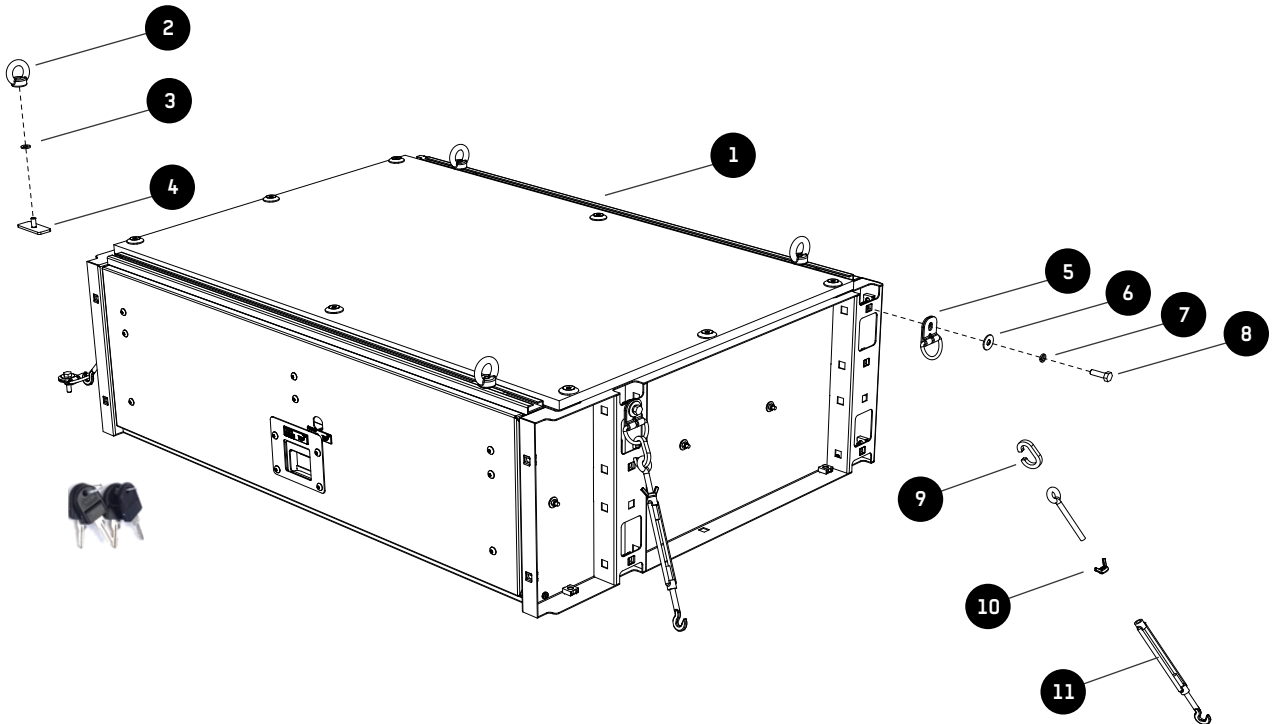
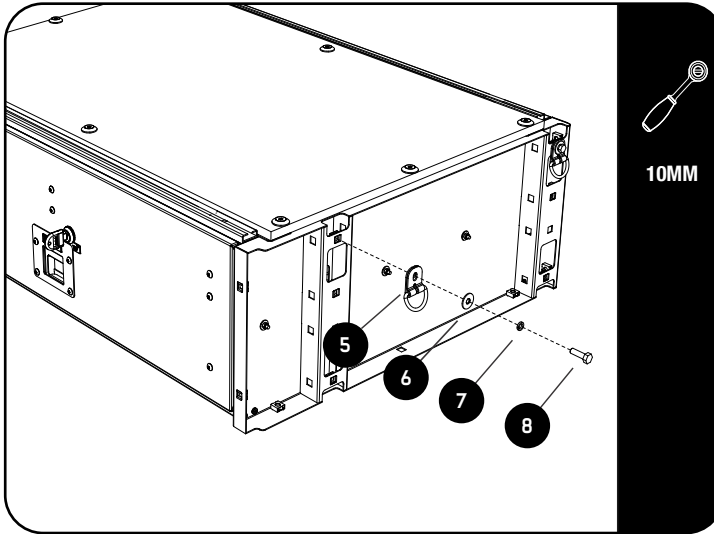


FIGURE 1.1



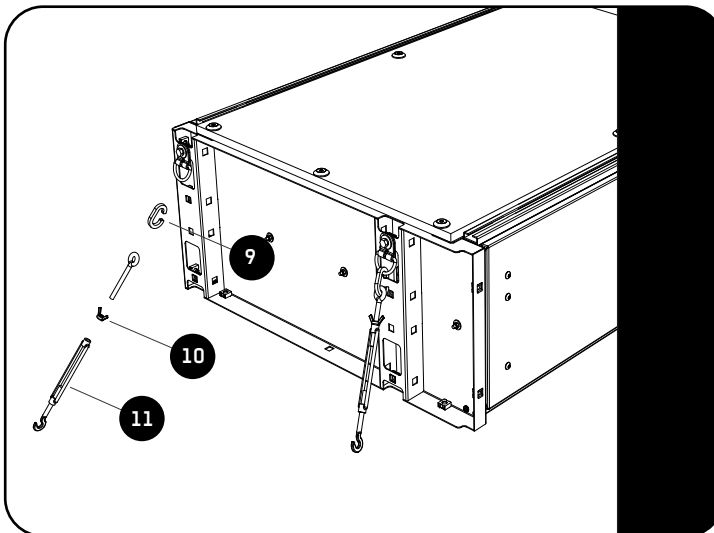
**2****FIT AND SECURE**

2.1



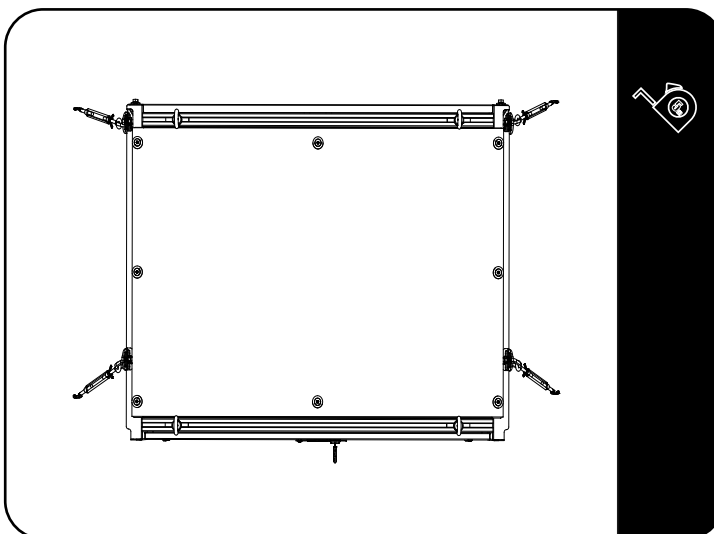
Secure the 4 D-Rings (item 5) on both sides of the drawer using the fasteners shown.

2.2

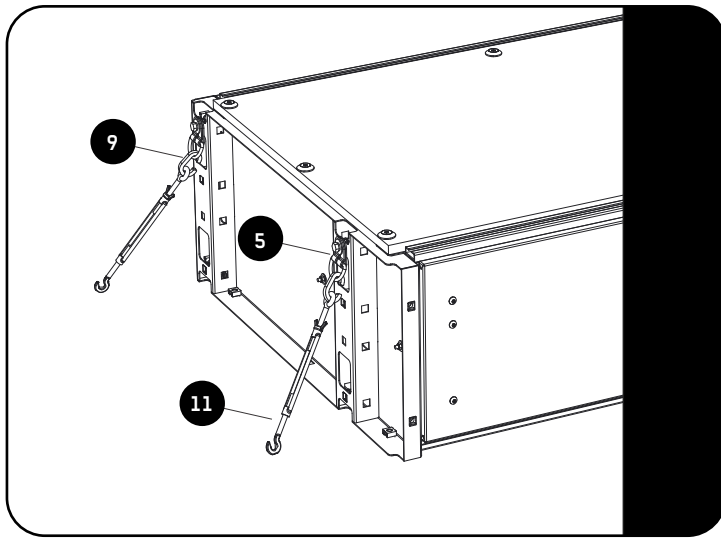


Assemble each of the 4 turnbuckles (item 12) with a wing nut (item 10) as shown. The wing nut will be used to lock the turnbuckles after they have been set.

2.3



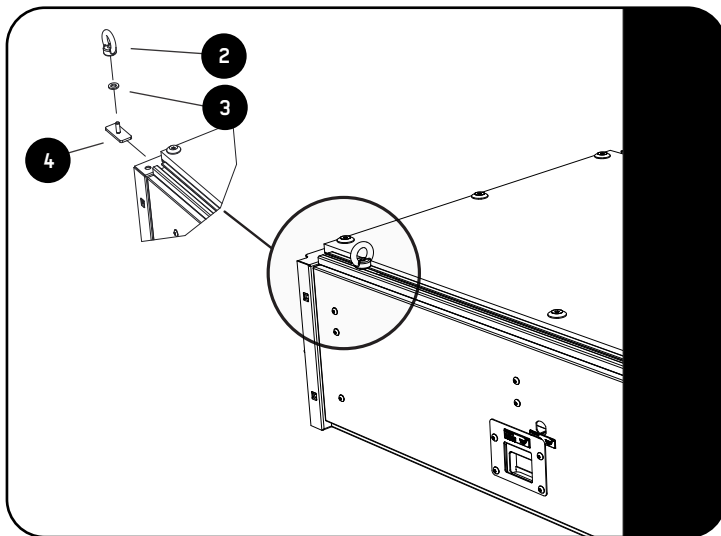
Place the drawer in the vehicle and position as desired. Making sure the turnbuckles are pulling outward to prevent the drawer from moving after it has been secured.

**2****FIT AND SECURE****2.4**

Connect the C-hooks (item 9) onto the D-rings (item 5) on the drawers upright. Connect the turnbuckles (item 11) on the other side of the C-hooks and hook it into the tie-down that are fitted to the vehicle.

Secure the drawer by tensioning the turnbuckles until there is no more movement on the drawer. Make sure the drawer stays in position when doing this.

⚠ Lock the turnbuckles with the wing nuts. Do this by tightening the wing nuts up to the turnbuckles. Refer to diagram 2.2

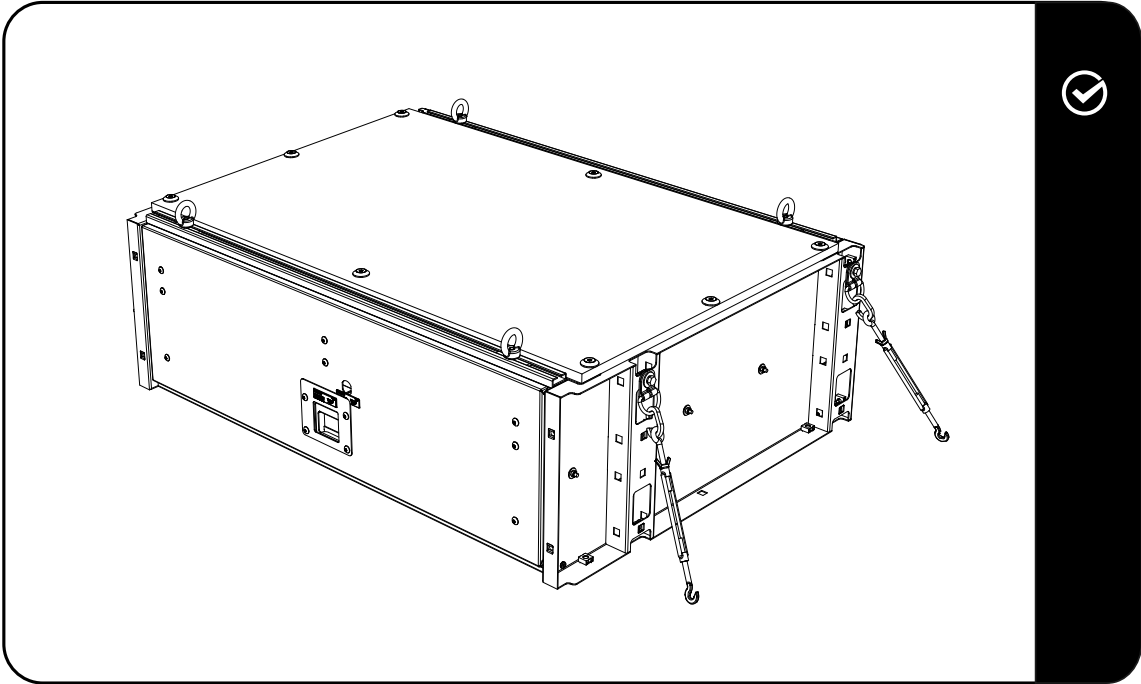
**2.5**

Assemble the eye-nuts (item 2) with a M6 nylon washer (item 3) and a stud plate (item 4) and slide them into place.

3

## COMPLETION

3.1



**Congratulations. You did it. Take a step back and admire your work!**

4

## INSTALL OTHER VEHICLE AND RACK ACCESSORIES

Now's the time to visit your favorite Front Runner Dealer in person or online.