



FRONT RUNNER

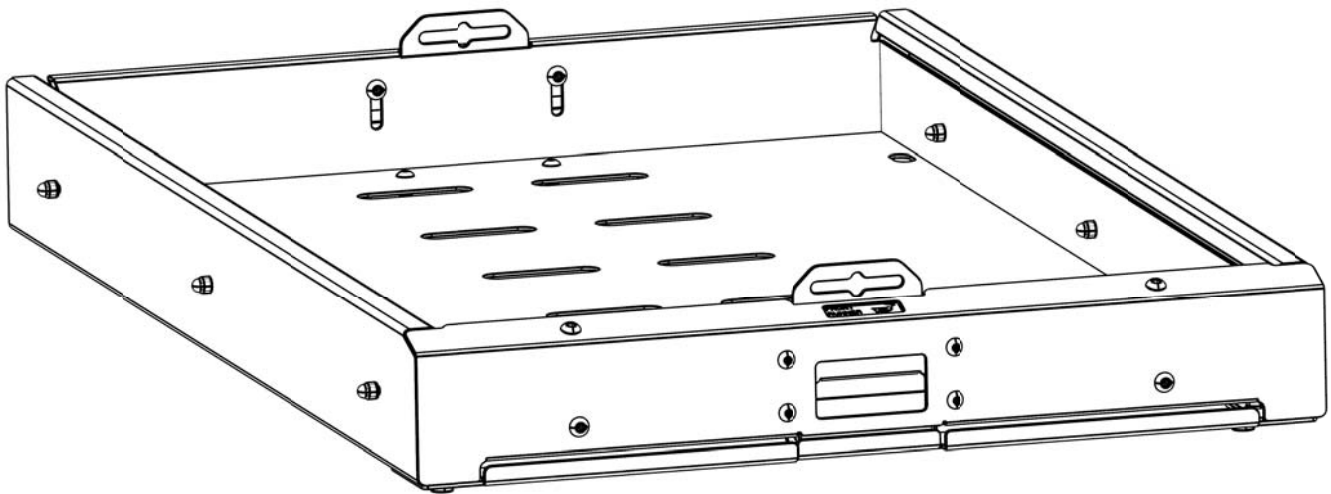
40L - 52L FRIDGE SLIDE

ENG

FSLI005



INSTALL TIME: 30 mins



IMPORTANT WARNING!

IT IS CRITICAL THAT ALL FRONT RUNNER PRODUCTS BE PROPERLY AND SECURELY ASSEMBLED AND ATTACHED TO YOUR VEHICLE. IMPROPER ATTACHMENT COULD RESULT IN AN AUTOMOBILE ACCIDENT, AND COULD CAUSE SERIOUS BODILY INJURY OR DEATH TO YOU OR TO OTHERS. YOU ARE RESPONSIBLE FOR ASSEMBLING AND SECURING ALL FRONT RUNNER PRODUCTS TO YOUR VEHICLE, CHECKING THE ATTACHMENTS PRIOR TO USE, AND PERIODICALLY INSPECTING THE PRODUCTS FOR ADJUSTMENT, WEAR, AND DAMAGE. THEREFORE, YOU MUST READ AND UNDERSTAND ALL OF THE INSTRUCTIONS AND CAUTIONS SUPPLIED WITH YOUR FRONT RUNNER PRODUCT PRIOR TO INSTALLATION OR USE. IF YOU DO NOT UNDERSTAND ALL OF THE INSTRUCTIONS AND CAUTIONS, OR IF YOU HAVE NO MECHANICAL EXPERIENCE AND ARE NOT THOROUGHLY FAMILIAR WITH THE INSTALLATION PROCEDURES, YOU SHOULD HAVE THE PRODUCT INSTALLED BY A PROFESSIONAL INSTALLER OR OTHER QUALIFIED PERSONNEL.

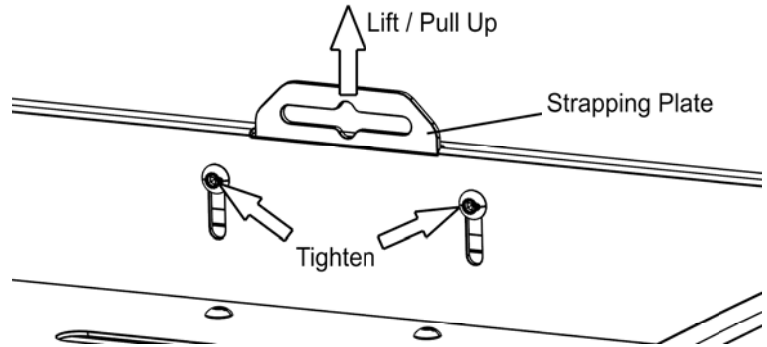
1 GET ORGANIZED...

SECURE STRAPPING PLATES

The front and rear Strapping Plates are shipped loosely fastened. Lift / pull the Plates up until they hard stop and secure in position by tightening the M6 Button Head Bolts as shown.

You will need:

- 4 mm Hex Key



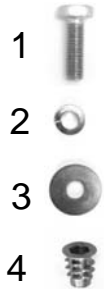
Below is a list of Tools and Components you will require for each of the recommend methods of fitting your Fridge Slide. Take a moment to familiarize yourself with these Fitting Instructions all the components received.

MOUNTING TO A DRAW SYSTEM OR WOODEN DECK- SECTION 2

You will need:

- 4 mm & 6 mm Hex Key
- Drill Machine
- 7 mm Drill Bit
- Marking Pen
- 10 mm Flat or Socket Wrench

Item #	Quantity	Description
1	6	M6 x 20 HEX BOLT
2	6	M6 SPRING WASHER
3	6	M6 x 19 FLAT WASHER
4	6	M6 WOOD INSERT

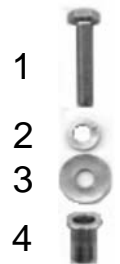


MOUNTING TO LOAD BAY USING RIVNUTS - SECTION 3

You will need:

- 10 mm Flat or Socket Wrench
- Drill Machine
- 9 mm Drill Bit
- Riv Nut Tool
- Marking Pen

Item #	Quantity	Description
1	6	M6 x 30 HEX BOLT
2	6	M6 SPRING WASHER
3	6	M6 x 19 FLAT WASHER
4	6	M6 RIV NUT



MOUNTING TO LOAD BAY USING NUTS & BOLTS - SECTION 4

You will need:

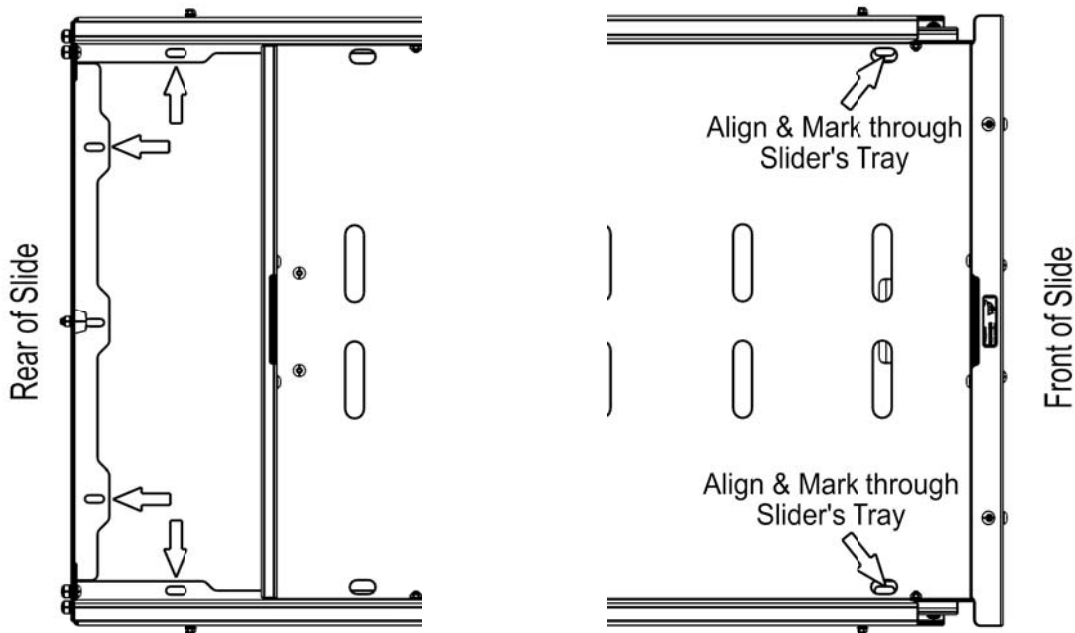
- 10 mm Flat & Socket Wrench
- Drill Machine
- 6.5 mm Drill Bit
- Marking Pen

Item #	Quantity	Description
1	6	M6 x 30 HEX BOLT
2	12	M6 x 19 FLAT WASHER
3	6	M6 NYLOC NUT



2 MOUNTING TO A DRAW SYSTEM OR WOODEN DECK

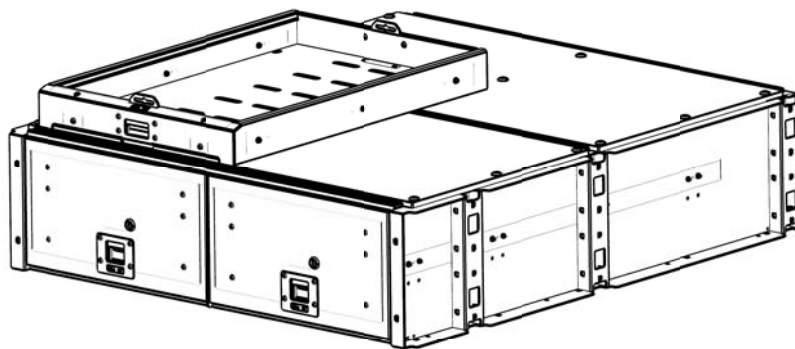
- (A) Place your Fridge Slide on top of the wooden deck / Draw System in the desired location. Open the Fridge Slide and mark the position of the six mounting points as indicated by the arrows onto the deck.



- (B) Remove the Fridge Slide and drill a 7 mm hole through the wood on each of your markings. Loosen and remove the wooden decks. If you have a Draw System with two layers of wood, it is only necessary to remove the top layer. Turn the Decks upside down and screw a Wood Insert into each of the 7 mm holes drilled in Step 1A.

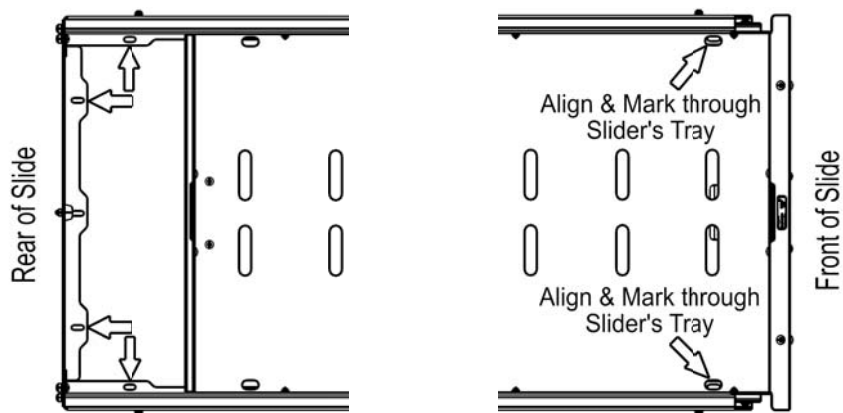
- (C) Secure the Decks back onto the Draw System. Place the Fridge Slide back into position and secure using M6 x 20 Hex Bolts, M6 Spring Washers and M6 x 19 Flat Washers supplied.

- (D) Congratulations, you have completed your installation. Take a step back and admire your work. Good Job!



3 MOUNTING TO LOAD BAY USING RIVNUTS

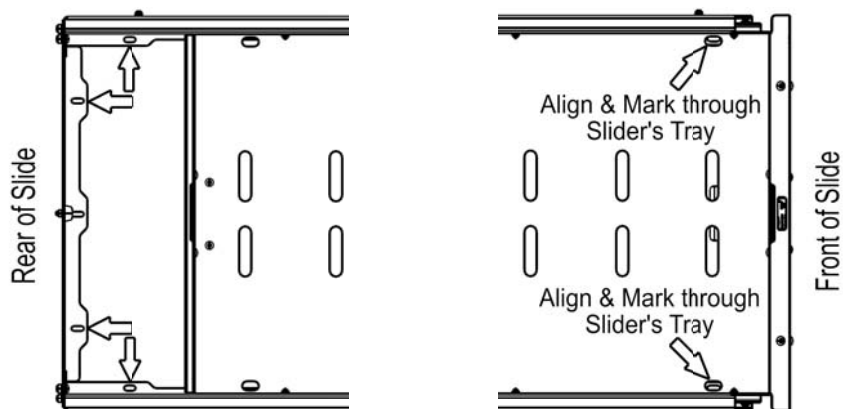
- (A) Place your Fridge Slide in the desired location. Open the Fridge Slide and mark the position of the six mounting points as indicated by the arrows onto the load bay. Remove the Fridge Slider.



- (B) Drill a 9 mm hole on each of the markings. Insert and crimp a M6 Rivnut into each hole. Place the Fridge Slide back in position and secure using the M6 x 30 Hex Bolts, M6 Spring Washers and M6 Flat Washers supplied.

4 MOUNTING TO LOAD BAY USING NUTS & BOLTS

- (A) Place your Fridge Slide in the desired location. Open the Fridge Slide and mark the position of the six mounting points as indicated by the arrows onto the load bay. Remove the Fridge Slider.



- (B) Drill a 9 mm hole on each of the markings. Place the Fridge Slide back in position and secure using the M6 x 30 Hex Bolts, M6 Spring Washers and M6 Flat Washers and M6 Nyloc Nuts supplied.