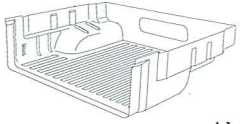
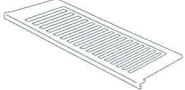
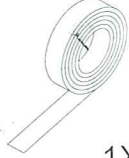

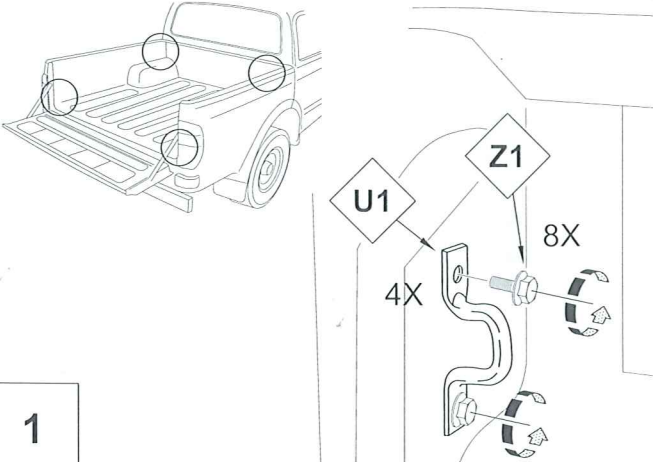
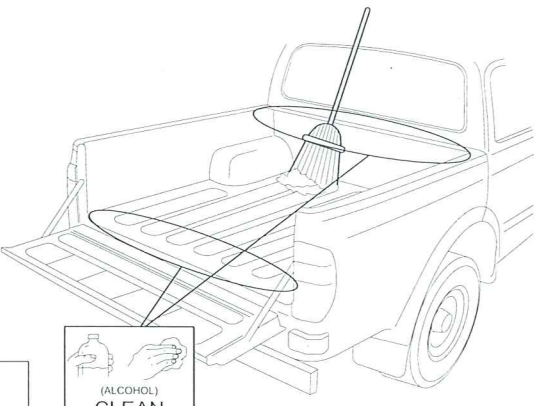
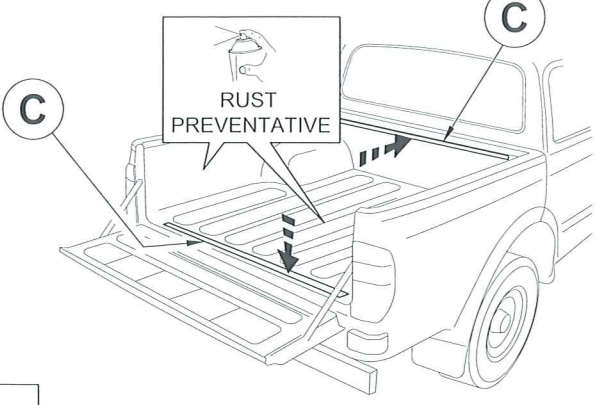
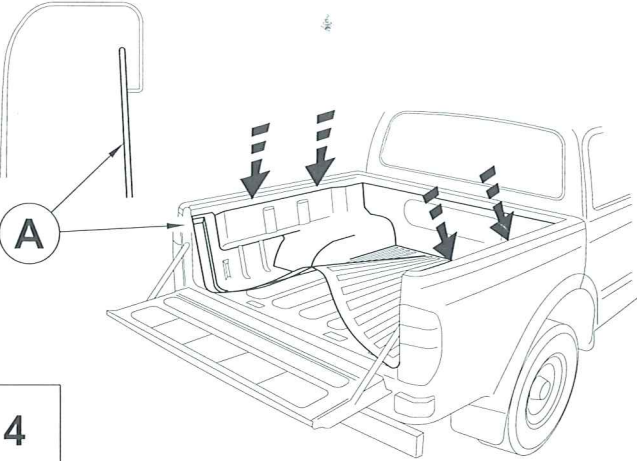
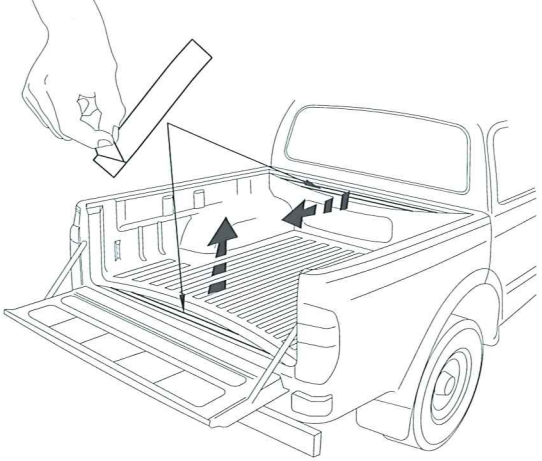
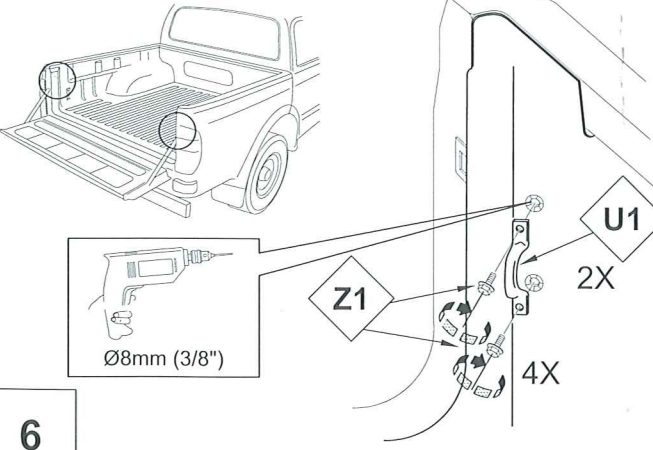




TOYOTA 2005+ UNDER-RAIL, FITTING KIT (K32)

A	B	C	D
 1X	 1X	 1X	 6X
 <p>1</p> <p>U1 4X</p> <p>Z1 8X</p>		 <p>2</p> <p>(ALCOHOL) CLEAN</p>	
 <p>3</p> <p>C</p> <p>RUST PREVENTATIVE</p>		 <p>4</p> <p>A</p>	
 <p>5</p>		 <p>6</p> <p>Z1 4X</p> <p>U1 2X</p> <p>Ø8mm (3/8")</p>	

