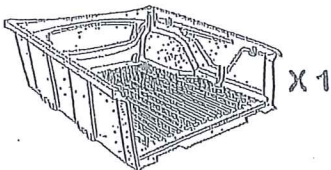


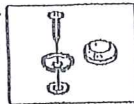
# BED LINER INSTALLATION MANUAL

FOR  D/C  SP/C  S/C 1365

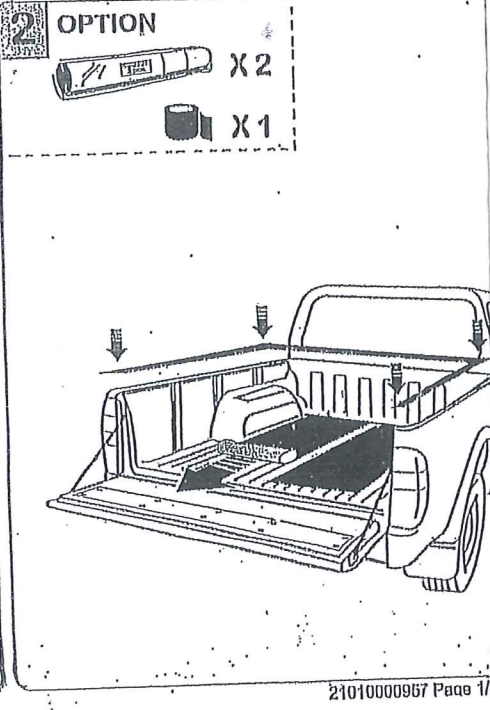
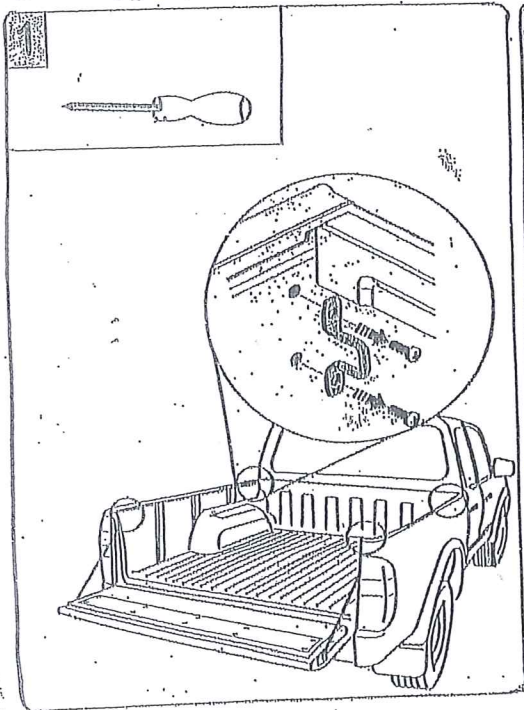
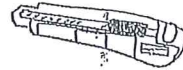
## PART LISTS



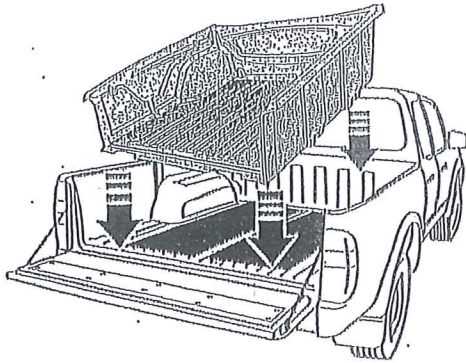
OPTION



## TOOLS



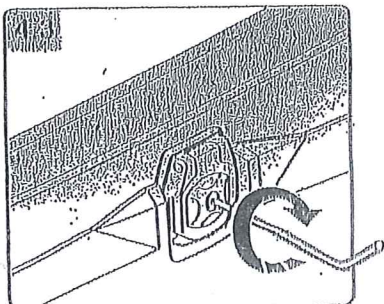
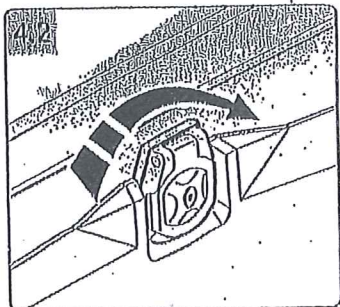
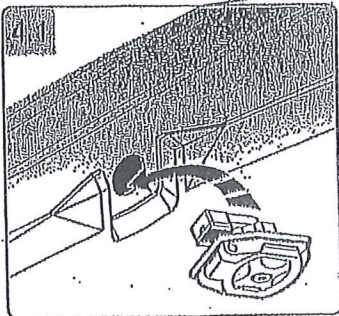
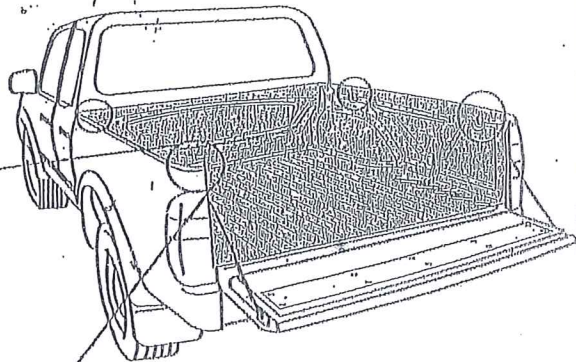
3

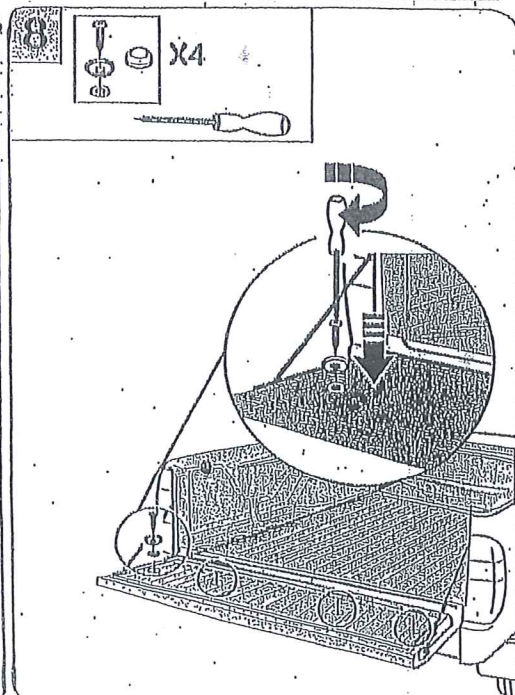
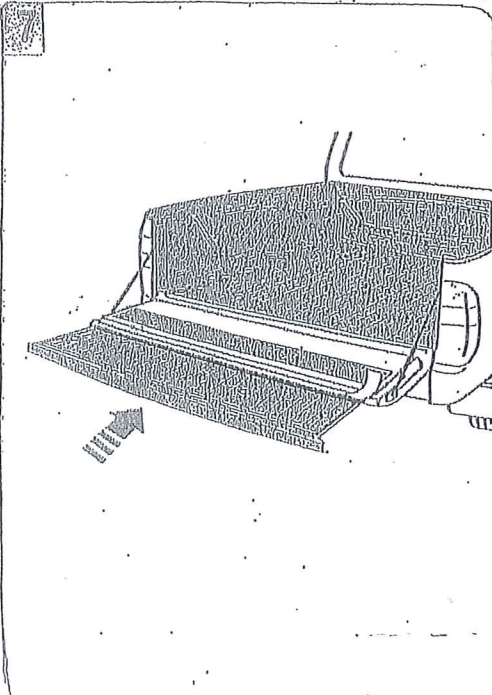
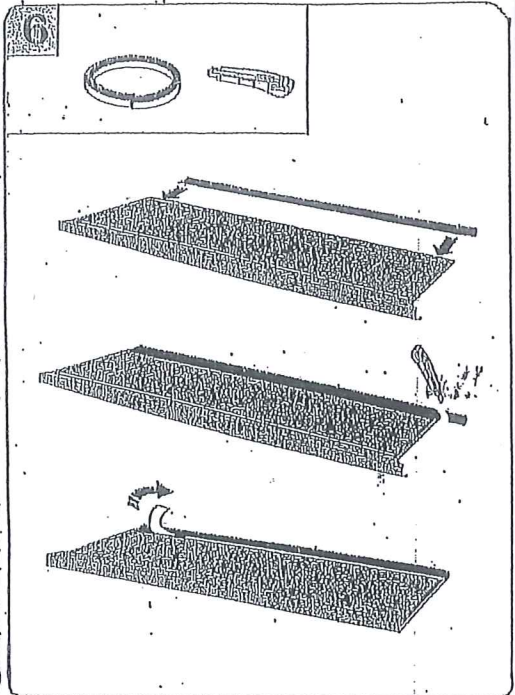
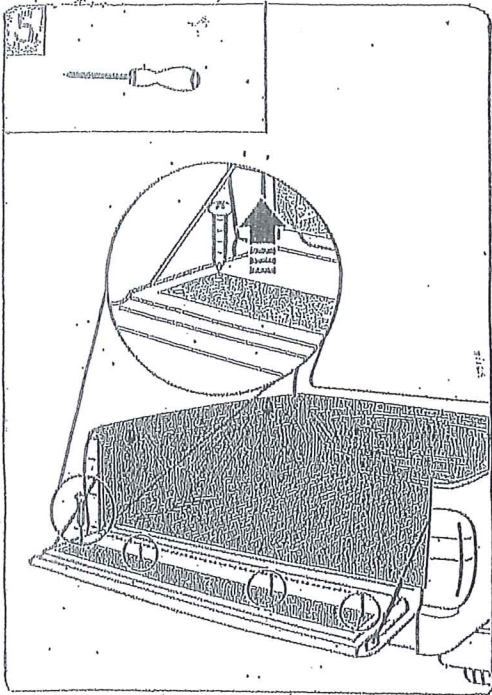


4



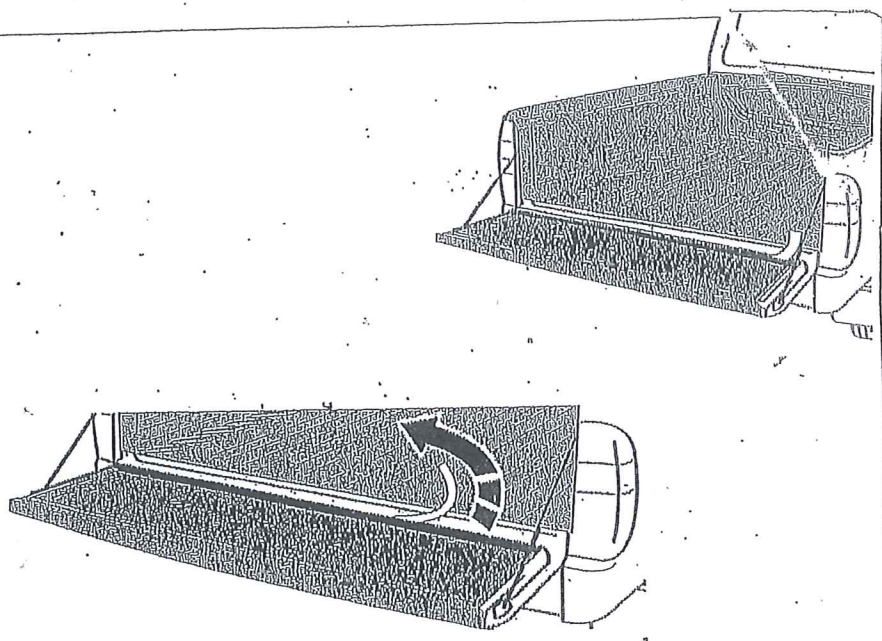
X 4 FOR D/C  
X 6 FOR SP/C







9



10

X4

